

SB-12 | Shallow Base 12" - Airsafe



COMPLIANCE:

- ICAO: Annex. 14 - Vol. I
- FAA AC 150/5345-42 & 46
- EASA CS-ADR-DNS
- STANAG 3316

BOARDING TIME

BOARDING PASS

NAME OF PASSANGER

FROM:

TO:

DATE FLIGHT
 GAES2020

GATE SEAT
23 21B

GATE CLOSSES 30 MINUTES BEFORE DEPARTURE

GOMINTEC
BOARDING PASS
GOMINTEC

Uses

Installation of 12" inset lights or 8" inset lights with 12"-8" adaptor rings.

Features

- Extrusion molding of premium aluminum alloy material.
- Special material prescription with good thermal conductivity.
- Equal-strength structural design with even loading and less possibility of deforming.
- Interior reinforcing ribs ensure strong loading capacity.
- High-strength, good mechanical property, verified by FAA's sub-test on loading capacity.
- Extrusion processing ensures denser interior structure and better mechanical property.
- High-precision machining, fully guarantees the quality and precision of bases.
- Made of anti-corrosion aluminum with prior preservative treatment, durable in use.
- Screws equipped with stainless wire thread insert, which effective prolongs the service life.
- Secondary connection interface of metallic waterproof connectors with premium waterproof property.

Order Code

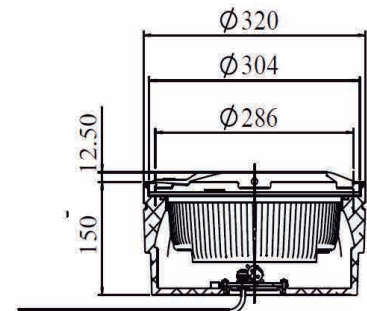
SB-12 - X

Type SB-12 = 12" shallow base

S = Side-in
B = Bottom-in

Entry Note: Customization of entry available

Dimensions



Packaging size	330 × 330 × 180 mm ³
Weight	Unit: 6.62kg

Installation

