

AES-117-48-GR/RE | Helicopter Approach Path Indicator



COMPLIANCE:

- ICAO Annex 14, Vol II
- ICAO- PHOTOMETRIC Figure 5-14 and 5-15
- CHROMATICITY - Section 5.3.5



BOARDING TIME

BOARDING PASS

NAME OF PASSANGER

FROM:

TO:

DATE FLIGHT
 GAES2020

GATE SEAT
23 21B

GATE CLOSSES 30 MINUTES BEFORE DEPARTURE GAES 454843121451100

GOMINTEC BOARDING PASS GOMINTEC

Uses

The signal format of the HAPI shall include four discrete signal sectors, providing an “above slope”, an “on slope”, a “slightly below” and a “below slope” signal.

- ### Features
- Designed and built with simplicity and ease of maintenance in mind.
 - LED technology.
 - Lightweight, low-energy and environment friendly lighting fitting.
 - Extensive use of aluminium alloys reduces fittings weight and eases handling in the field.

Technical Specifications

HOUSING MATERIAL	Powder-coated aluminium, RAL 1004 (aviation yellow)
ANTI GLARE VISOR	Powder-coated aluminium, RAL 9005 (gloss black)
DISPERSER	Hardened front glass for sandblast protection
CABLE GLAND	Nickel- Plated Brass
FASTENING SYSTEM	Powder-coated aluminium, RAL 1004 (aviation yellow)

AES-117-48-GR/RE | Helicopter Approach Path Indicator

Order Code

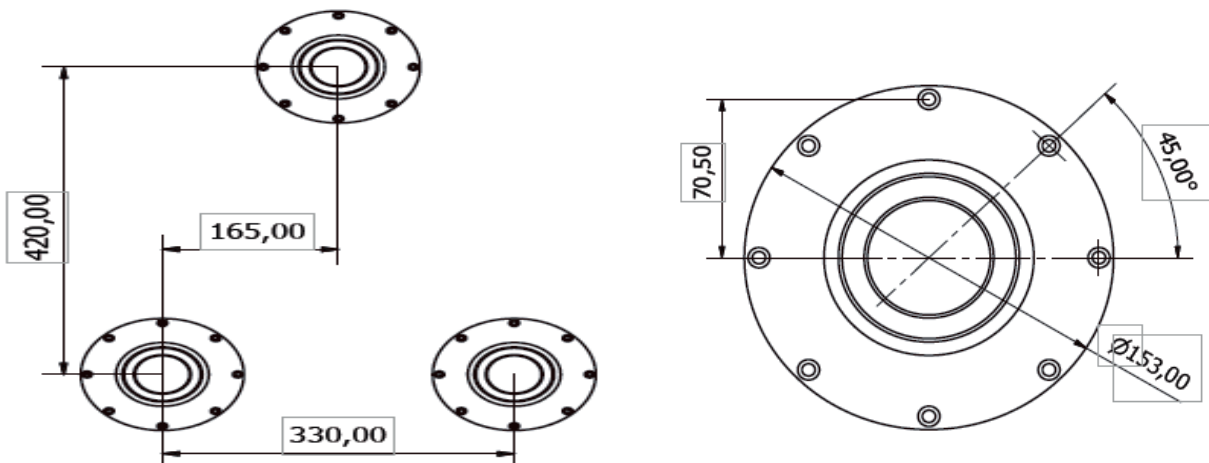


Environment

Temperature range: -40°C to +55°C
 IP 65
 Humidity 0-100%

Mounting

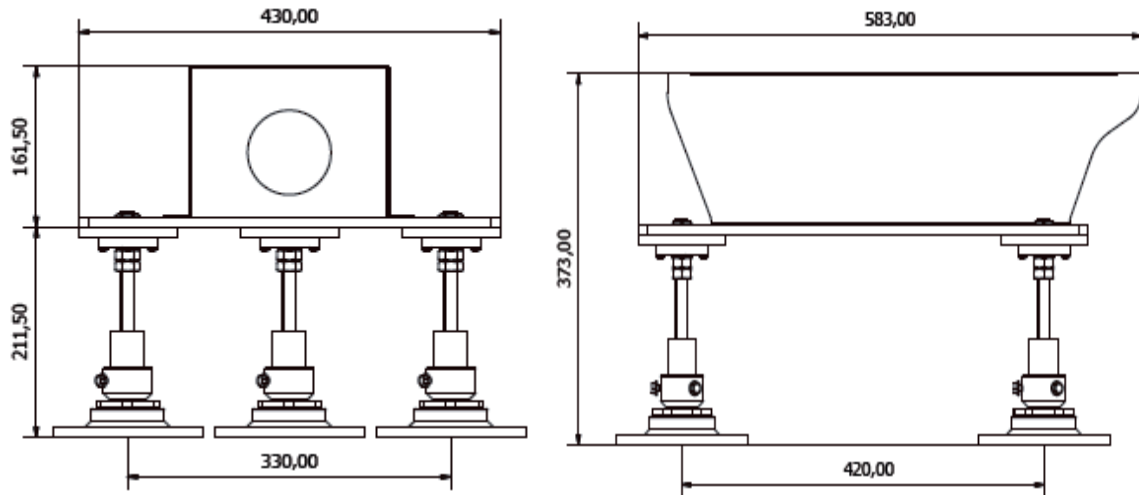
Light unit may be aimed at any vertical angle up to 10°. The mounting system is equipped with frangible couples



AES-117-48-GR/RE | Helicopter Approach Path Indicator

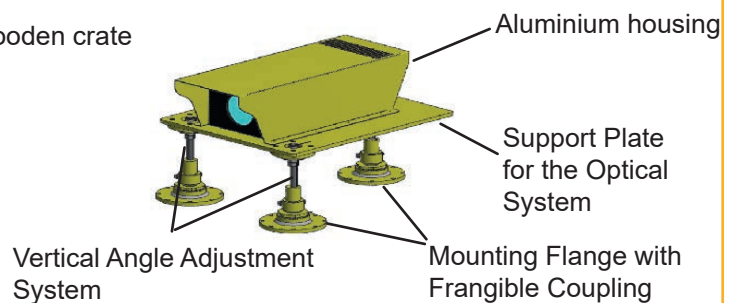
MECHANICAL CHARACTERISTICS

Overall Dimensions - 583x430x373mm
Weight - 19kg



Packaging

The HAPI is supplied in a ISMP 15- compliant wooden crate
Crate dimensions:
650mm x 500mm x 400mm
Total Weight: 26kg



Electrical Characteristics

Power consumption

Max 50W

Power Supply

110/230VAC from mains

Connecting to a 110/230V AC supply:

The 110/230V AC LED HAPI is supplied with a 3-core (3 x 1.0mm²) 1m flying lead.

The overall diameter of the cable is nominally 7.5mm.

Connect the free ends of the cable to the proper volt-age source.



Photometric Characteristics

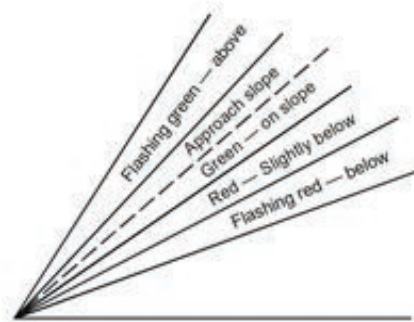
LIGHT COLOR

GREEN LIGHT AND RED LIGHT

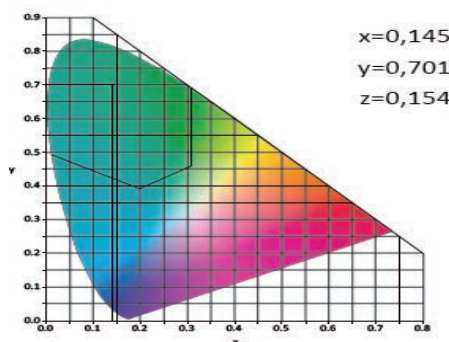
Azimuth angle	3°	6°	9°	12°	15°
Vertical elevation angle	2°	4°	6°	8°	10°
Measured minimum intensity (cd)	9000	6375	3750	1875	375

The angular size of the “on-slope” sector of the HAPI shall be 45 minutes
 The angular size of the “slightly below” sector of the HAPI shall be 15 minutes

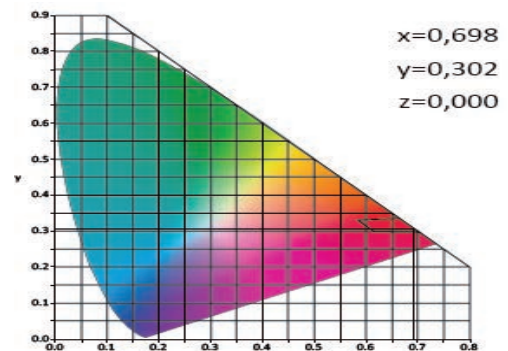
SECTOR	FORMAT
Above	Flashing Green
On slope	Green
Slightly below	Red
Below	Flashing red



The green light colour emitted, with the trichromatic coordinates:



The red light colour emitted, with the trichromatic coordinates:



The measured trichromatic coordinates correspond to colour range requirements in:
ICAO Annex 14- Aerodromes Vol.1, fig. A1-1-1b
Colours for aeronautical ground lights (solid state lighting)